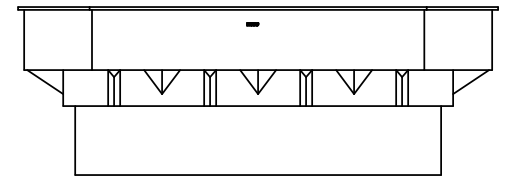
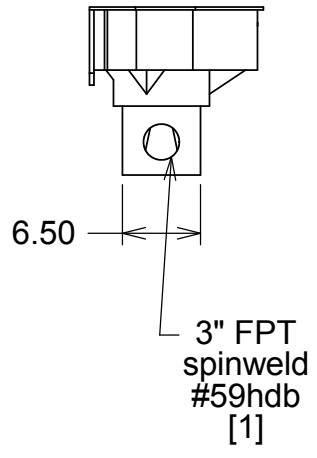
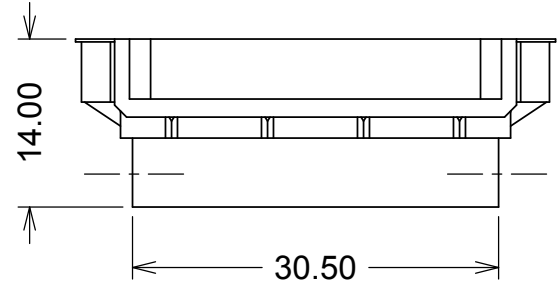
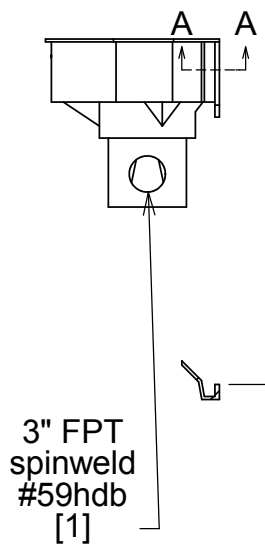
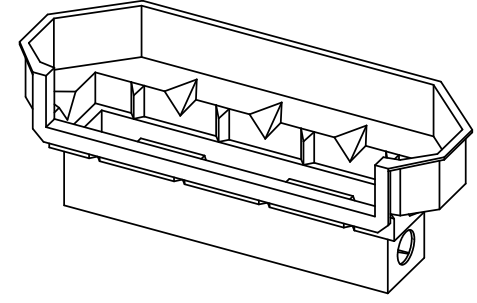
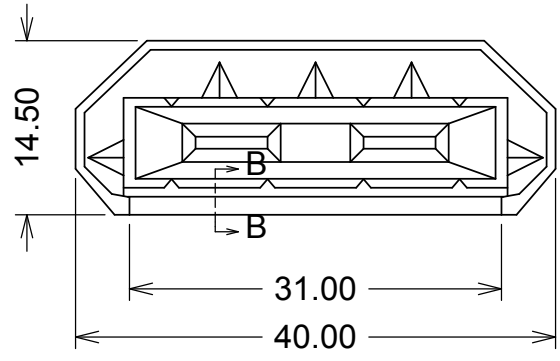
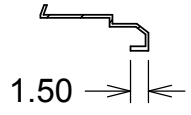
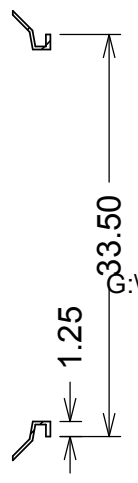


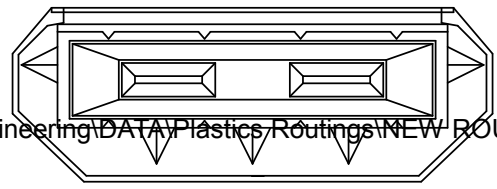
SECTION B-B



3" FPT spinweld #59hdb [1]



SECTION A-A



G:\Engineering\DATA\Plastics Routings\NEW ROUTINGS\BLUE THUMB\B9120-00-159- 30" ELITE CASCADE BOX (B9260)\DATA\

PROPRIETARY AND CONFIDENTIAL THE INFORMATION CONTAINED IN THIS DRAWING IS THE SOLE PROPERTY OF SELJAN CO.. ANY REPRODUCTION IN PART OR AS A WHOLE WITHOUT THE WRITTEN PERMISSION OF SELJAN CO. IS PROHIBITED.		DO NOT SCALE DRAWING. DIMENSIONS ARE IN INCHES. TOLERANCES UNLESS SPECIFIED: TWO PLACE DECIMAL: ± 0.010 PER 1" THREE PLACE DECIMAL: ± 0.01 " ANGULAR: $\pm 1^\circ$ CORNER RADIUS: $0.25" \pm 0.13"$ FLATNESS: ± 0.020 " PER 1" LINEAR TOL.: ± 0.010 " PER 1"		X	
DRAWN: JJS Thursday, December 01, 2011 3:15:20 PM		X		X	
MATERIAL: X		B9120-00-159		SIZE PART NO. A B-9260	REV. .
SCALE: 1:16		ENGINEERING APPROVAL: X		SHEET 1 OF 1	